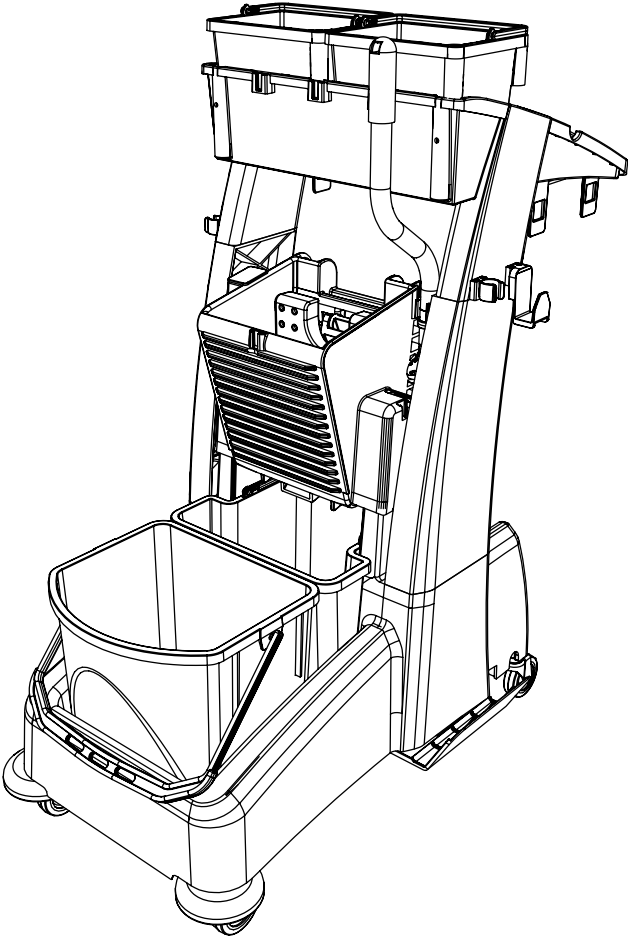
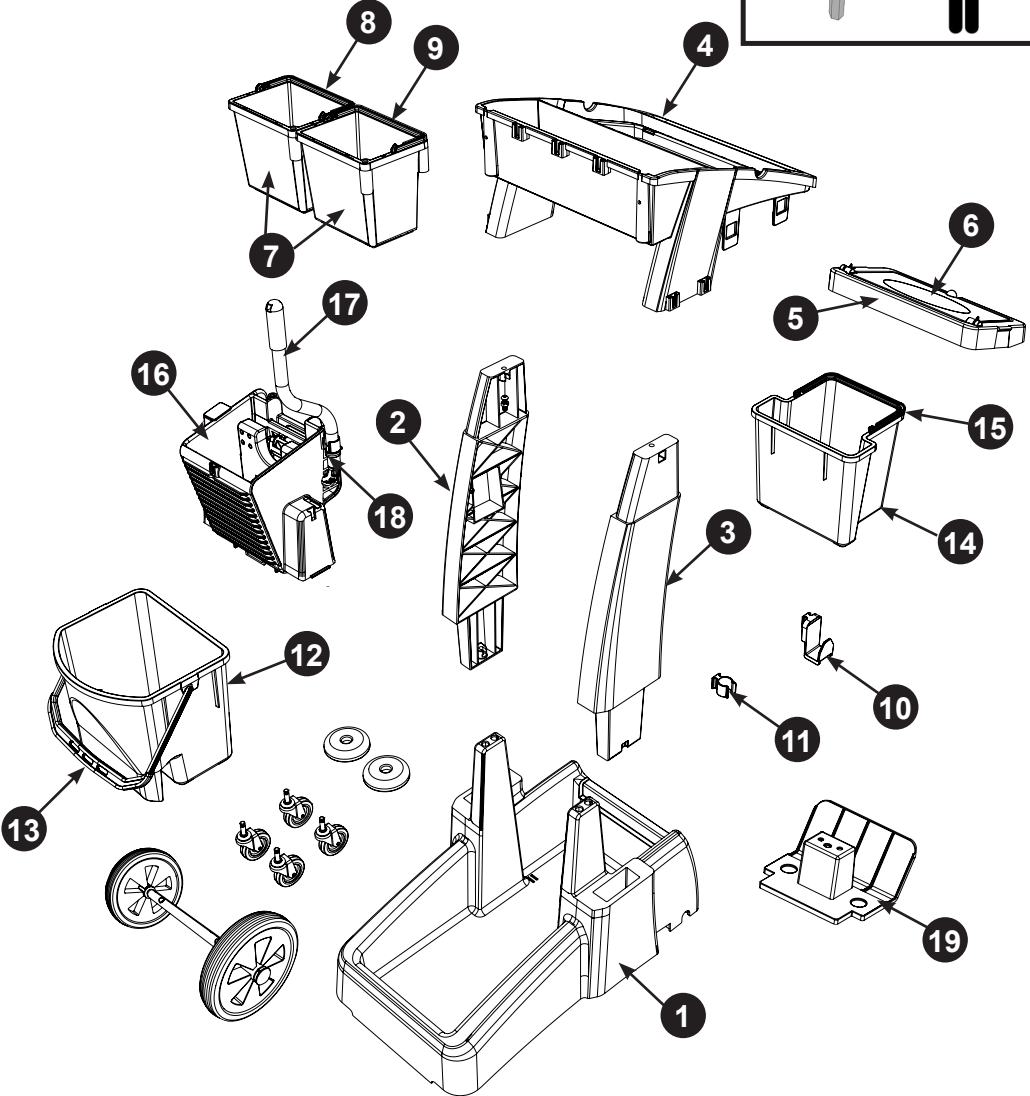
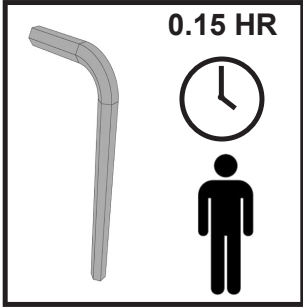


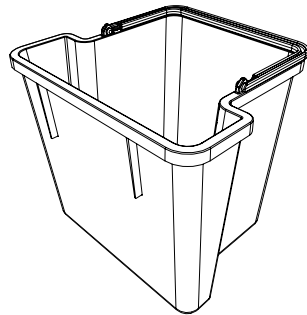
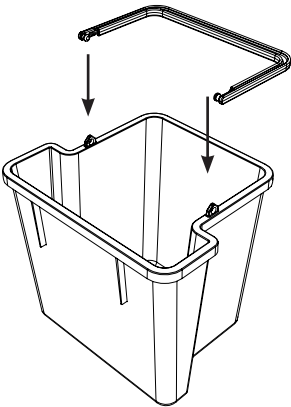
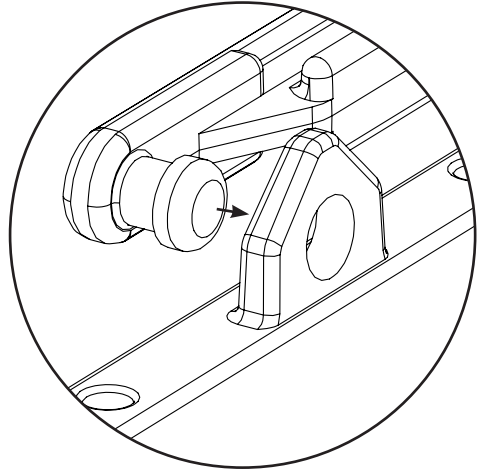
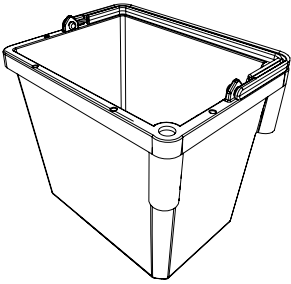
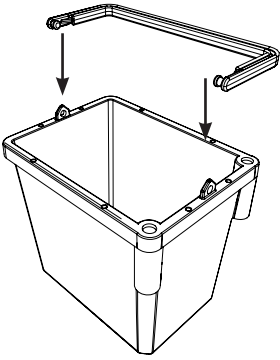
# MM-4T/BW Trolley Assembly (France)

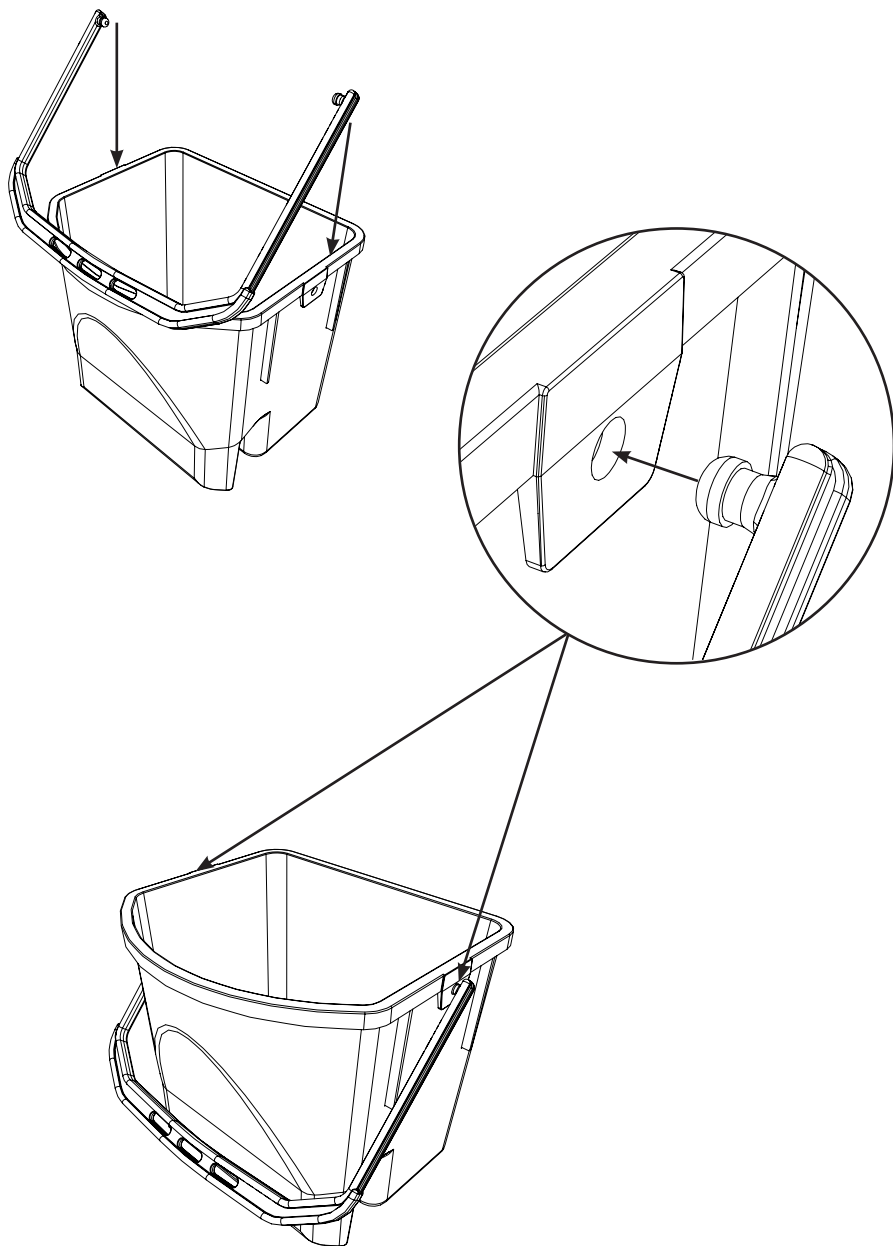


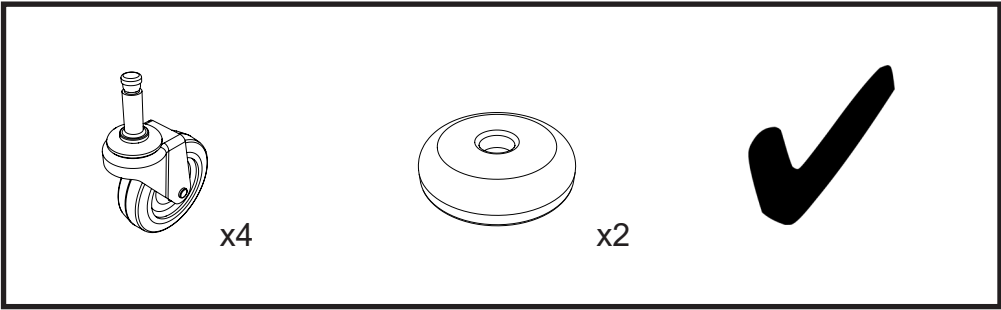
# Numatic



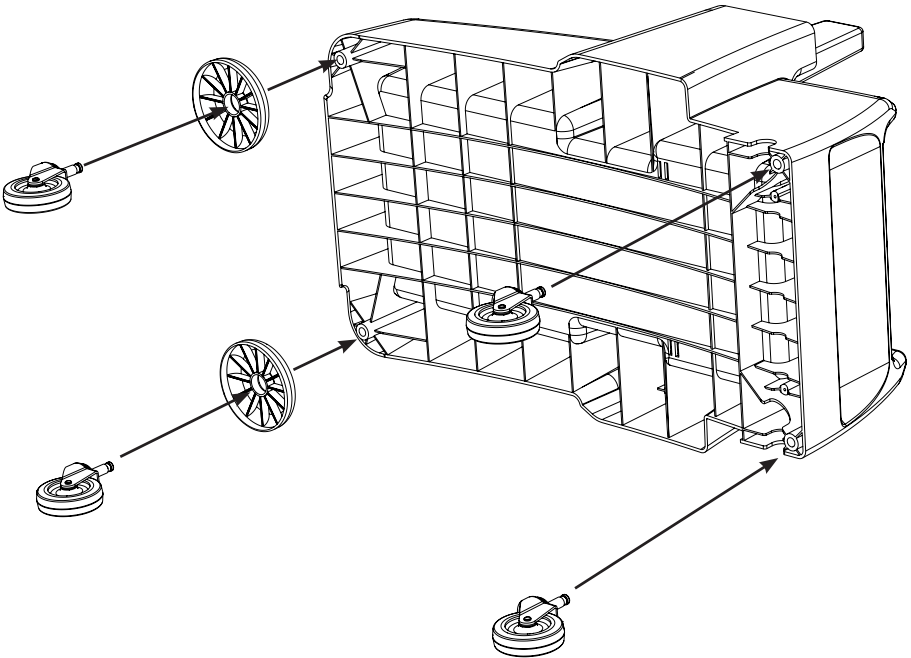
<b>Item</b>	<b>Description</b>	<b>Quantity</b>
1	Reflo Base	1
2	Left Hand Upright	1
3	Right Hand Upright	1
4	Handle Frame	1
5	Bag Securing	1
6	Lid	1
7	5 Litre Bucket	2
8	Red Handle	1
9	Blue Handle	1
10	Versaclean Hook T Slot	2
11	22mm Mid Mop Clamp	2
12	Clean Water Bucket	1
13	- Blue Handle	1
14	Dirty Water Bucket	1
15	- Red Handle	1
16	Mop Press	1
17	Mop Press Handle	1
18	C Clip	1
19	Mop Stand	2
20	70-Litre Grey Waste Bags (Roll of 10)	0.1
Big Wheel Only:	Axle and Wheel Assembly	1



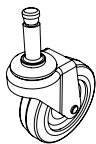




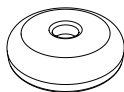
**MM- 4T:**



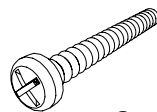
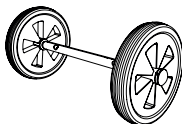
NO6 X 1 3/8 Inch Long  
Pozi Pan Screw



x2



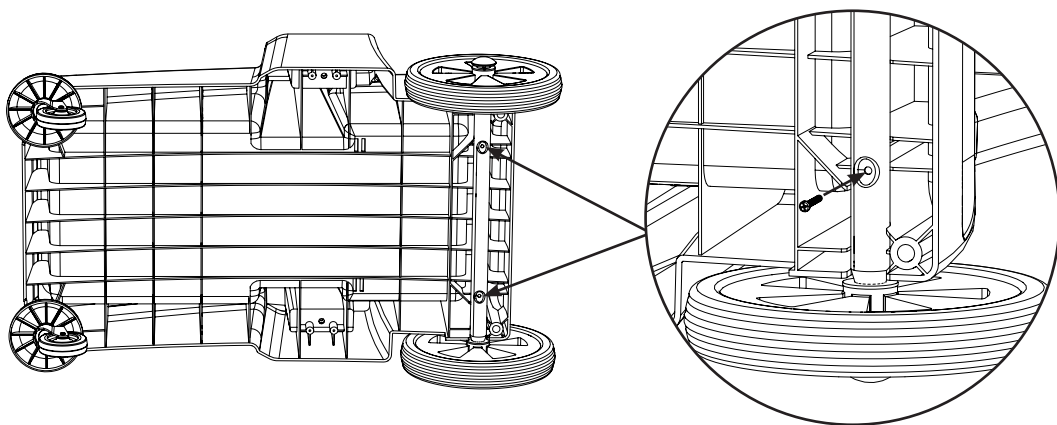
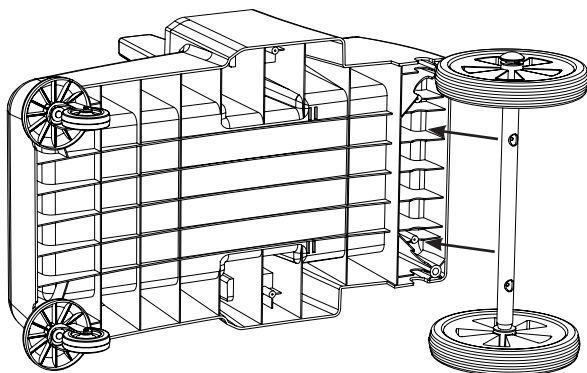
x2

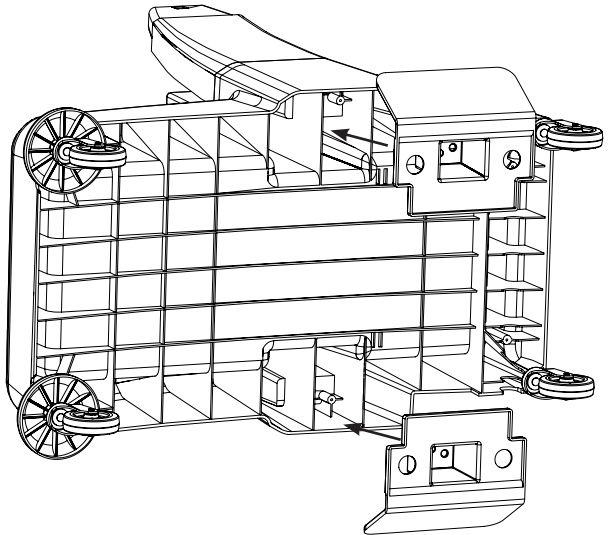
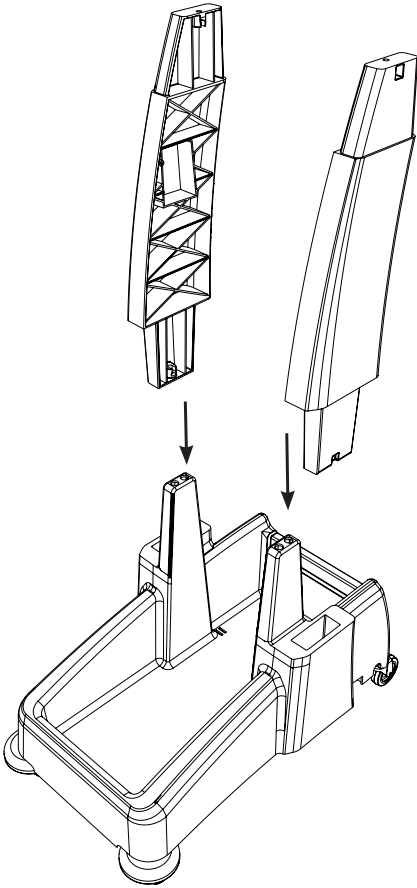


x2



MM-4T BW:

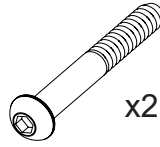




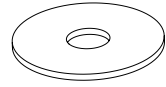


M8 X 60mm  
Socket Bolt

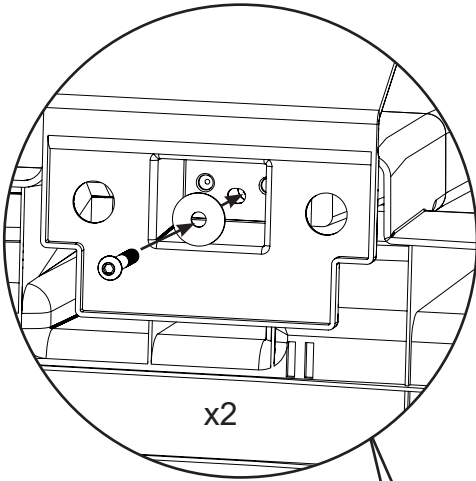
M8 X 30 Penny  
Washer



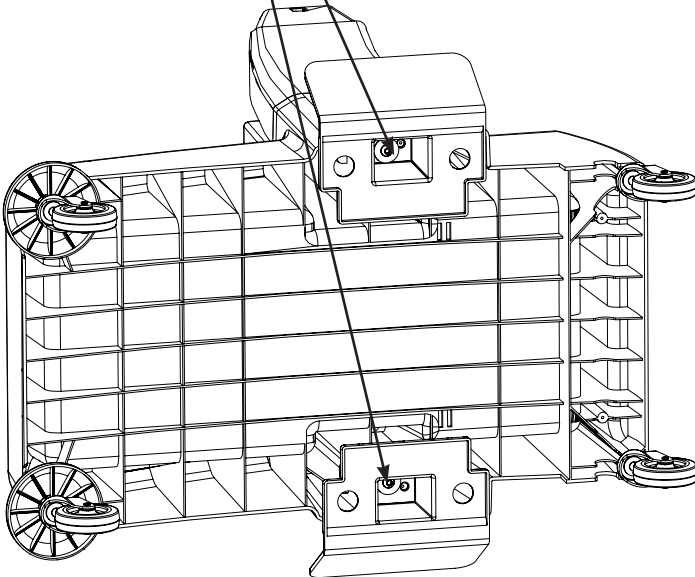
x2

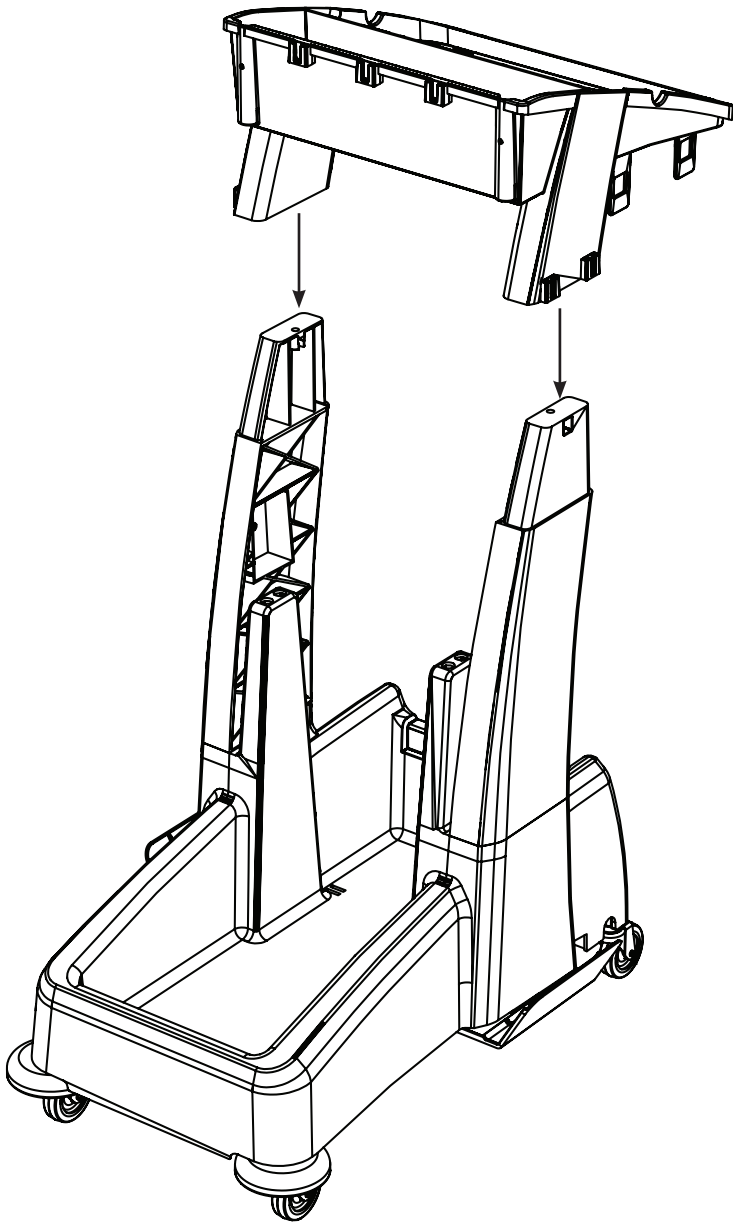


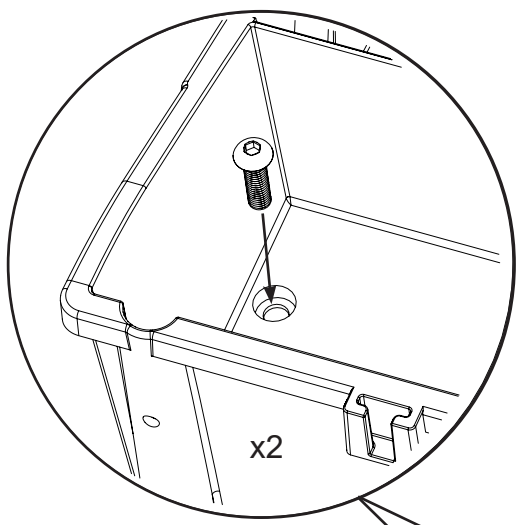
x2



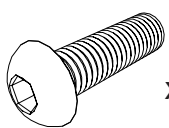
x2





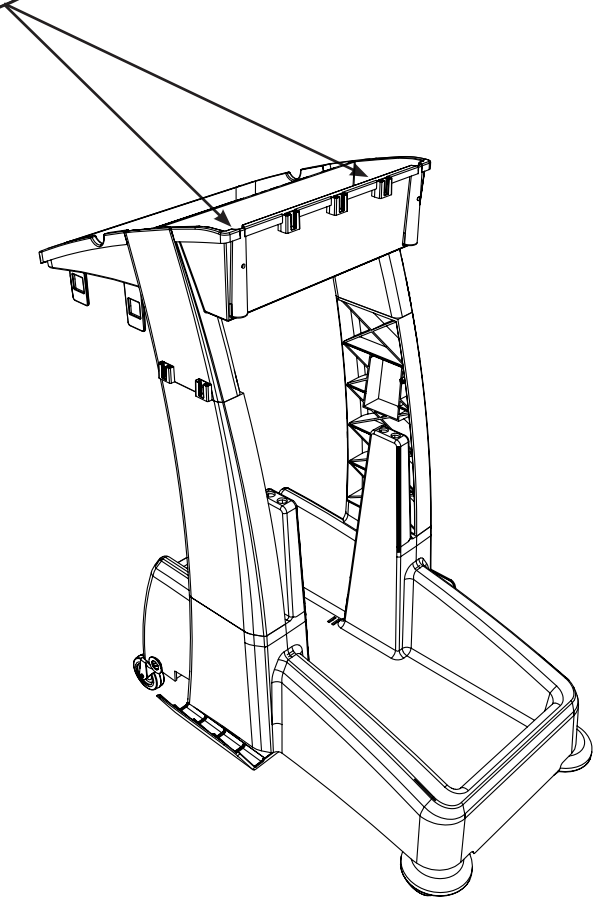


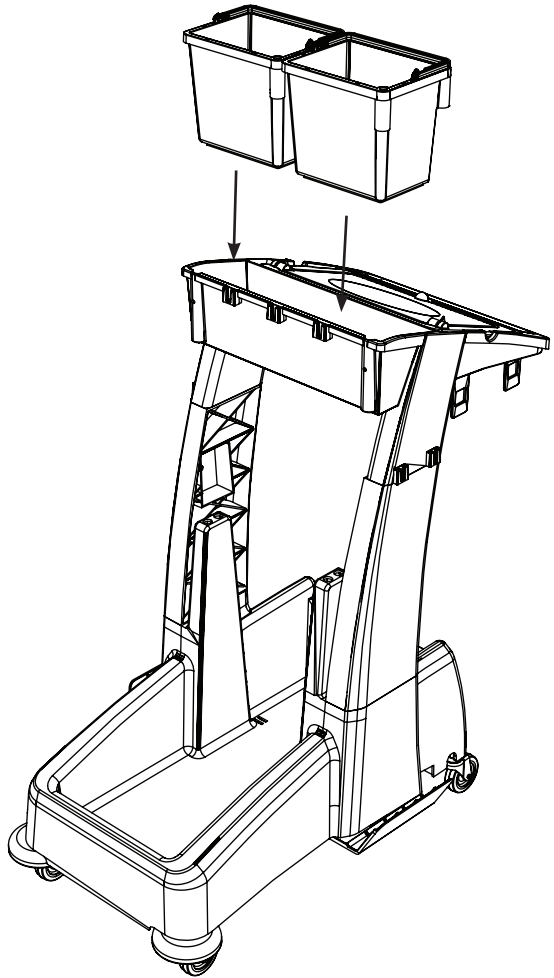
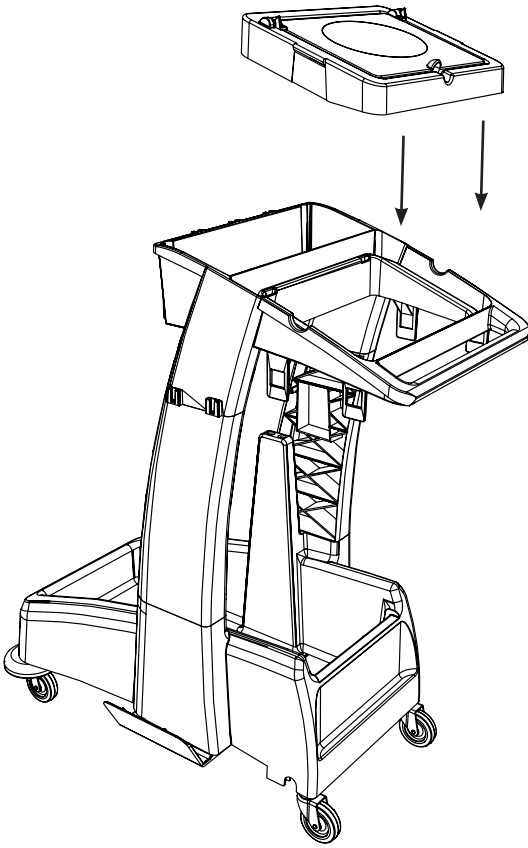
M8 X 25mm Socket Bolt

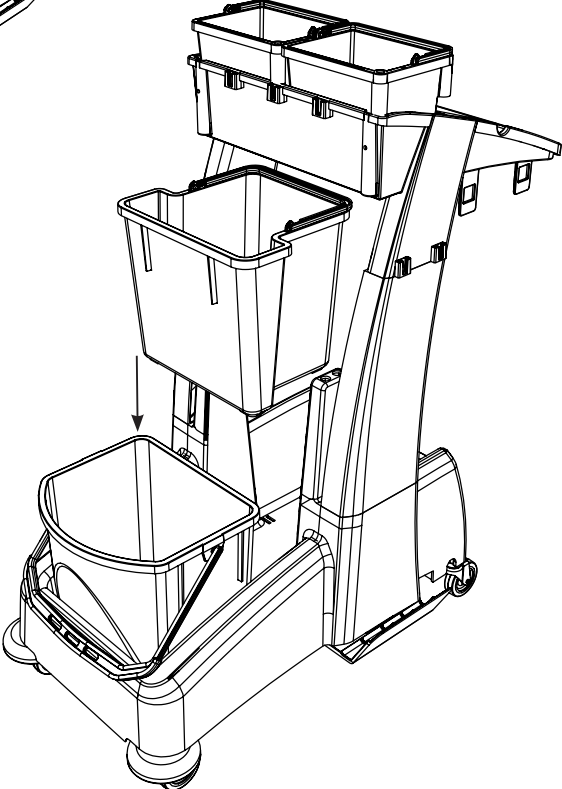
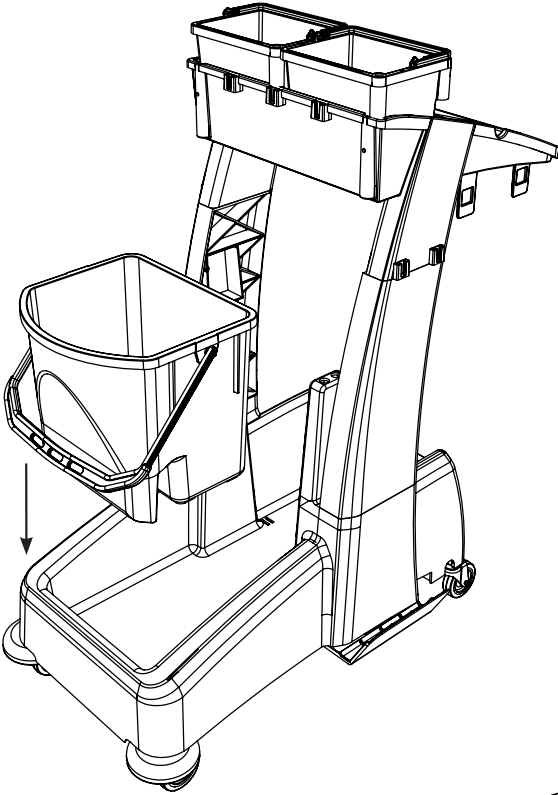


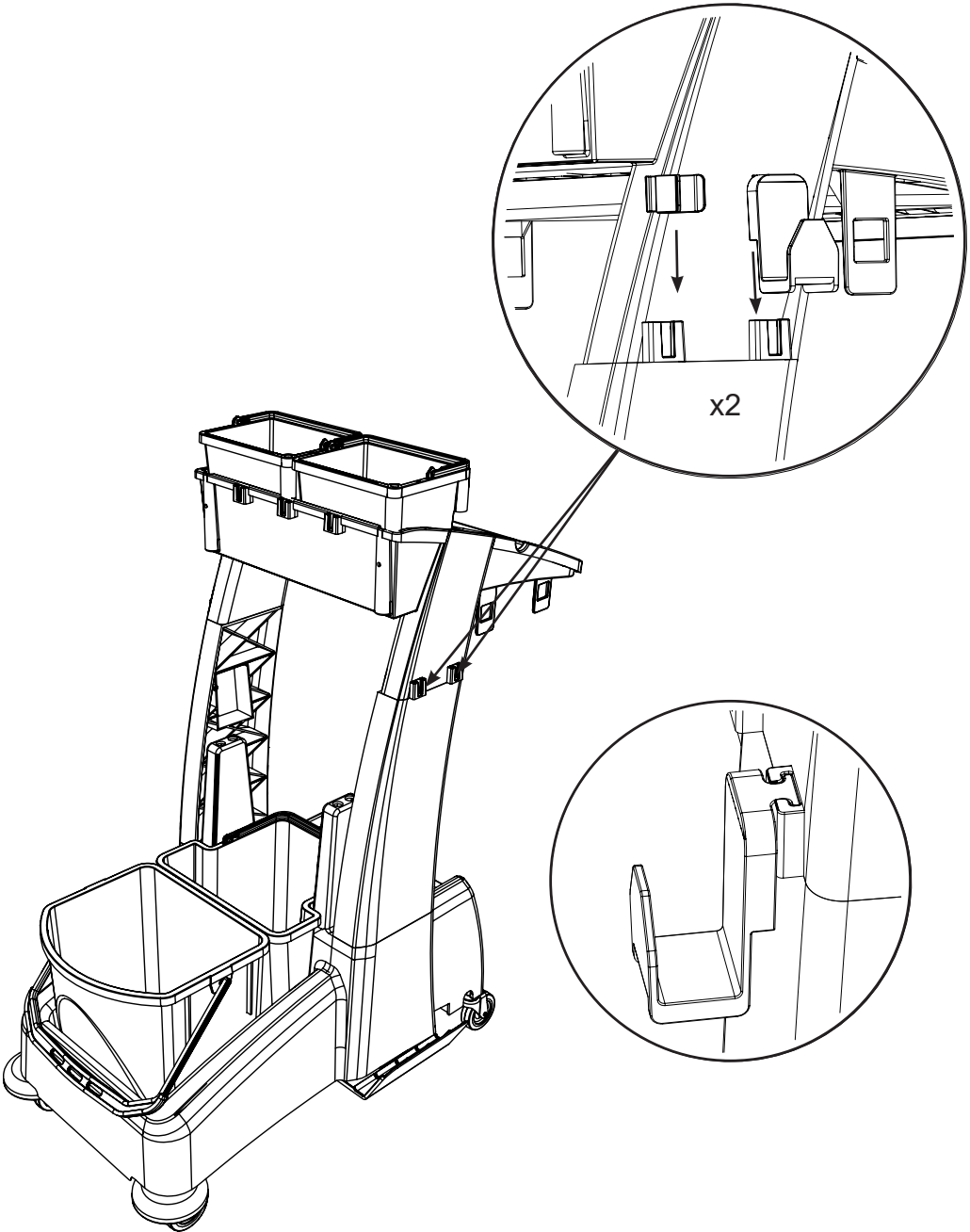
x2

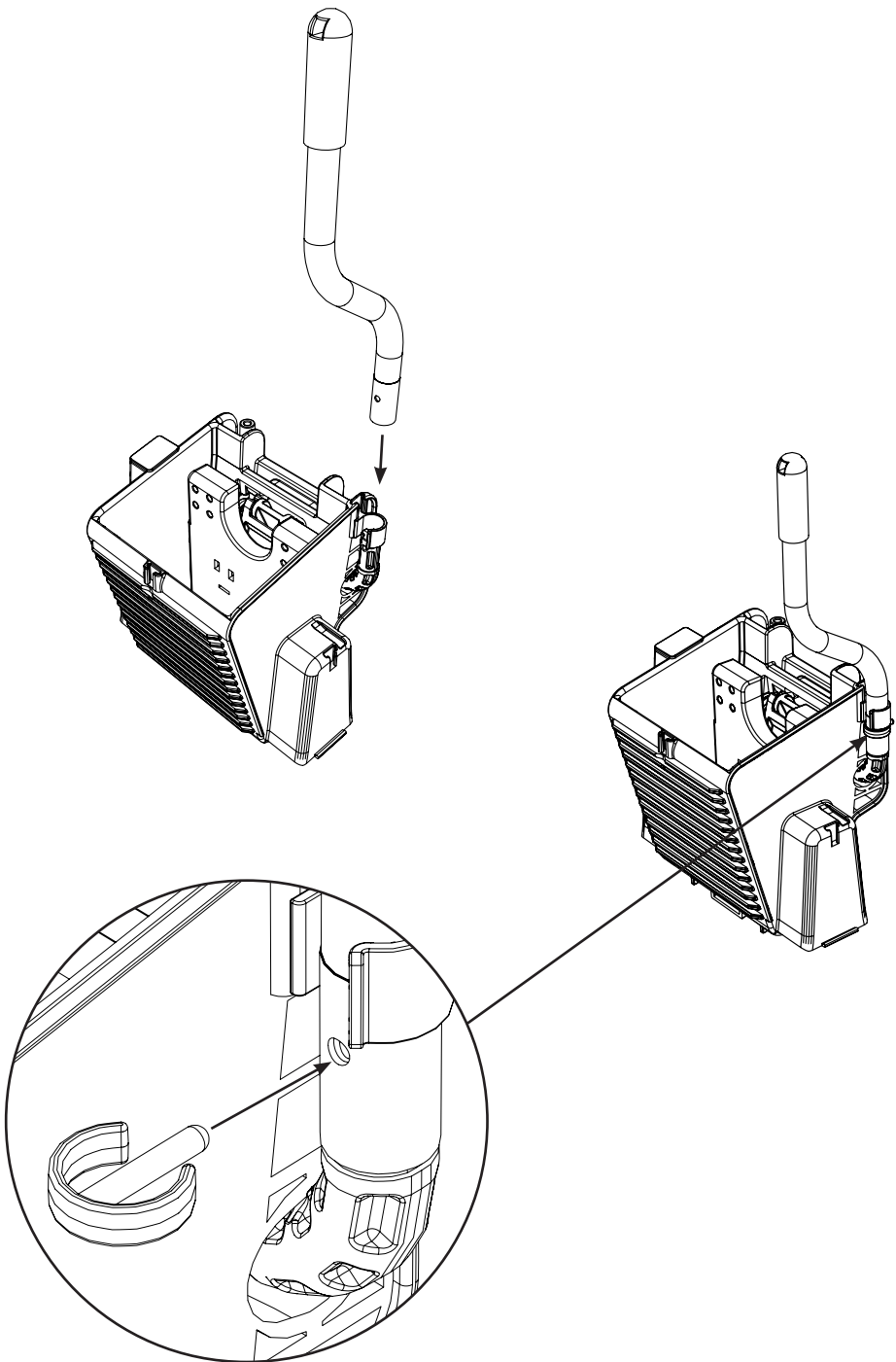
This block contains the text "M8 X 25mm Socket Bolt" at the top. Below the text is a detailed illustration of the bolt, showing its hexagonal head and threaded shaft. To the right of the bolt illustration is the text "x2", indicating the quantity of bolts required.

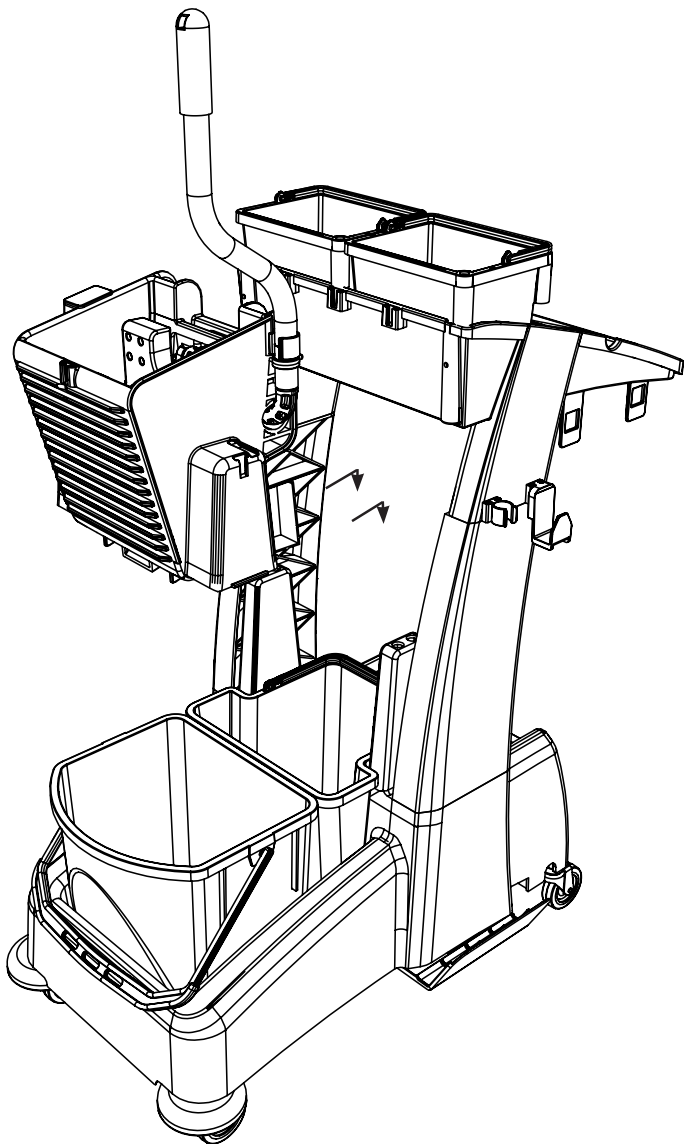












# Numatic

915649 MM-4T/BW Trolley Assembly Instructions (France) A02 08/2022